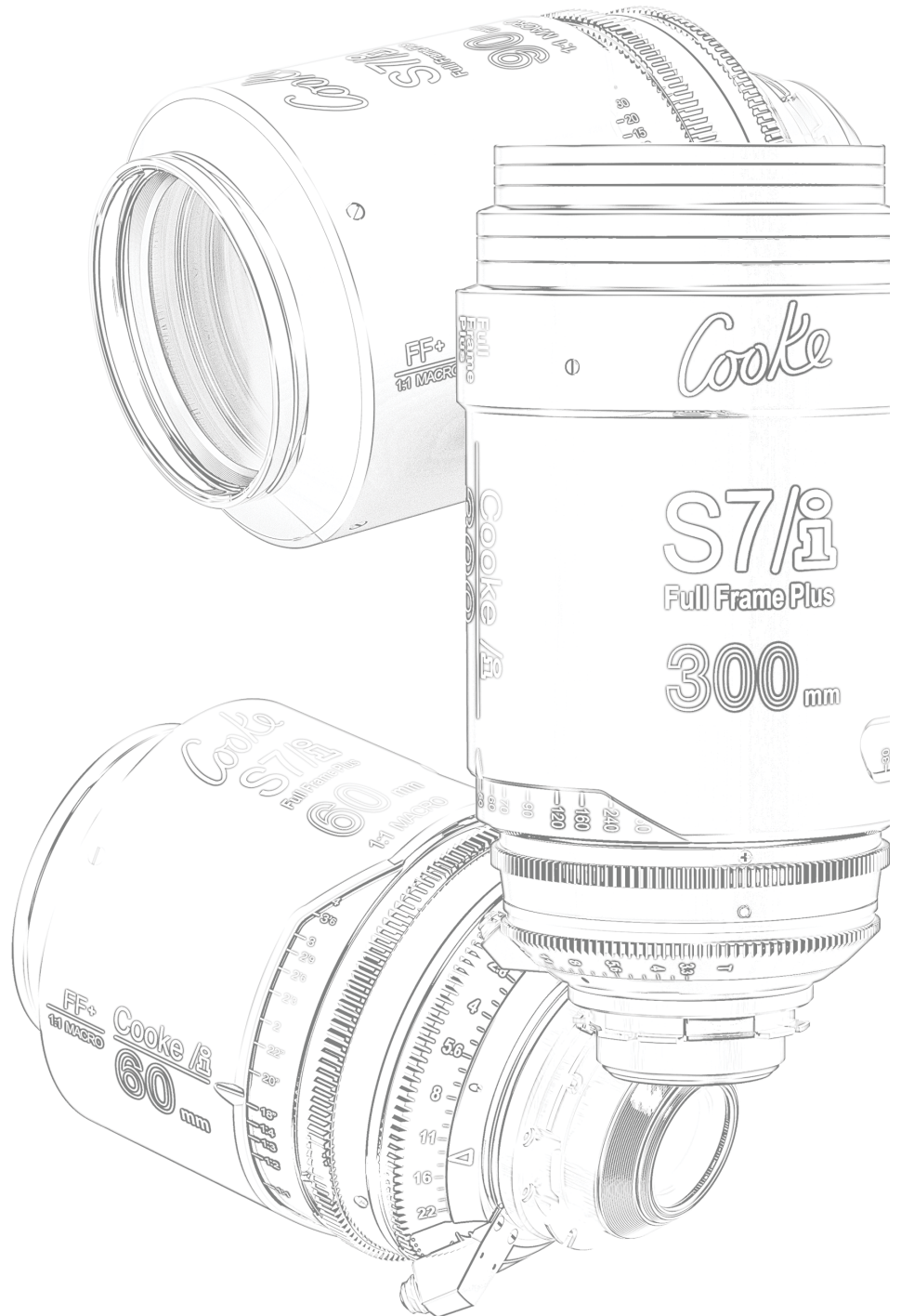




Cooke Lenses

Depth of Field Tables

S7/i[®]
FF+



Cooke Close, Thurmaston

Leicester, LE4 8PT, United Kingdom

T +44 (0) 116 264 0700

F +44 (0) 116 264 0707

E lenses@cookeoptics.com

W www.cookeoptics.com

Hs(m)	Hyperfocal Setting							
	T/2.0	T/2.8	T/4	T/5.6	T/8	T/11	T/16	T/22
	664.939	470.311	332.689	235.387	166.565	117.908	83.502	59.174

U Metres		Depth of Field							
		T/2.0	T/2.8	T/4	T/5.6	T/8	T/11	T/16	T/22
1.3	N	0.948	0.947	0.946	0.944	0.942	0.939	0.934	0.927
	F	0.952	0.953	0.954	0.956	0.958	0.962	0.967	0.974
1.4	N	0.998	0.997	0.995	0.994	0.991	0.987	0.982	0.975
	F	1.002	1.003	1.005	1.007	1.009	1.013	1.019	1.027
1.5	N	1.097	1.096	1.094	1.092	1.089	1.084	1.078	1.069
	F	1.103	1.104	1.106	1.108	1.112	1.116	1.123	1.133
1.6	N	1.147	1.146	1.144	1.141	1.138	1.133	1.125	1.115
	F	1.153	1.155	1.156	1.159	1.163	1.168	1.176	1.187
1.7	N	1.197	1.195	1.193	1.190	1.186	1.181	1.173	1.162
	F	1.203	1.205	1.207	1.210	1.214	1.220	1.228	1.240
1.8	N	1.246	1.245	1.243	1.239	1.235	1.229	1.221	1.209
	F	1.254	1.255	1.258	1.261	1.265	1.272	1.281	1.294
1.9	N	1.296	1.294	1.292	1.289	1.284	1.277	1.268	1.255
	F	1.304	1.306	1.308	1.312	1.317	1.324	1.334	1.348
2	N	1.346	1.344	1.341	1.338	1.332	1.325	1.315	1.302
	F	1.354	1.356	1.359	1.363	1.368	1.376	1.387	1.402
2.1	N	1.395	1.393	1.391	1.387	1.381	1.373	1.363	1.348
	F	1.405	1.407	1.410	1.414	1.420	1.428	1.440	1.457
2.3	N	1.445	1.443	1.440	1.436	1.430	1.421	1.410	1.394
	F	1.455	1.457	1.460	1.465	1.471	1.480	1.493	1.511
2.5	N	1.494	1.492	1.489	1.485	1.478	1.469	1.457	1.440
	F	1.506	1.508	1.511	1.516	1.523	1.532	1.546	1.566
2.7	N	1.594	1.591	1.587	1.582	1.575	1.565	1.551	1.531
	F	1.606	1.609	1.613	1.618	1.626	1.637	1.653	1.675
3	N	1.792	1.789	1.784	1.777	1.768	1.755	1.737	1.713
	F	1.808	1.812	1.816	1.823	1.833	1.847	1.867	1.897
3.5	N	1.990	1.986	1.980	1.972	1.960	1.945	1.922	1.892
	F	2.010	2.014	2.020	2.029	2.041	2.059	2.084	2.121
4	N	2.484	2.478	2.469	2.456	2.438	2.413	2.379	2.332
	F	2.516	2.523	2.532	2.546	2.565	2.593	2.634	2.694
4.5	N	2.977	2.968	2.955	2.936	2.911	2.875	2.827	2.760
	F	3.023	3.033	3.047	3.067	3.095	3.136	3.196	3.285
5	N	3.469	3.456	3.438	3.413	3.379	3.331	3.266	3.177
	F	3.532	3.545	3.564	3.591	3.630	3.687	3.771	3.895
5.5	N	3.959	3.943	3.920	3.887	3.842	3.780	3.696	3.583
	F	4.041	4.059	4.084	4.120	4.171	4.247	4.358	4.526
6	N	4.449	4.428	4.398	4.358	4.301	4.224	4.119	3.979
	F	4.553	4.575	4.607	4.652	4.718	4.815	4.959	5.177
7	N	4.937	4.911	4.875	4.825	4.755	4.661	4.533	4.364
	F	5.065	5.093	5.132	5.189	5.271	5.392	5.573	5.851
8	N	5.909	5.872	5.820	5.749	5.651	5.518	5.340	5.107
	F	6.094	6.134	6.191	6.274	6.395	6.574	6.845	7.270
10	N	6.876	6.826	6.757	6.661	6.529	6.352	6.117	5.813
	F	7.128	7.183	7.262	7.376	7.544	7.794	8.179	8.792
12	N	7.839	7.774	7.683	7.560	7.391	7.165	6.867	6.487
	F	8.168	8.240	8.344	8.495	8.718	9.055	9.578	10.429
15	N	9.749	9.649	9.510	9.321	9.066	8.728	8.291	7.742
	F	10.264	10.378	10.543	10.785	11.148	11.705	12.593	14.108
20	N	14.442	14.223	13.924	13.523	12.992	12.309	11.457	10.435
	F	15.603	15.867	16.256	16.839	17.740	19.192	21.702	26.623
30	N	19.021	18.643	18.133	17.457	16.583	15.487	14.162	12.632
	F	21.086	21.571	22.296	23.408	25.186	28.215	33.993	47.832
50	N	27.850	27.046	25.986	24.622	22.919	20.876	18.538	16.002
	F	32.510	33.677	35.478	38.380	43.400	53.245	78.367	234.961
100	N	44.300	42.302	39.766	36.657	33.006	28.931	24.628	20.345
	F	57.382	61.119	67.320	78.591	102.970	183.355	INF	INF
Infinity	N	79.537	73.321	66.023	57.876	49.273	40.712	32.679	25.545
	F	134.632	157.175	205.933	366.763	INF	INF	INF	INF

